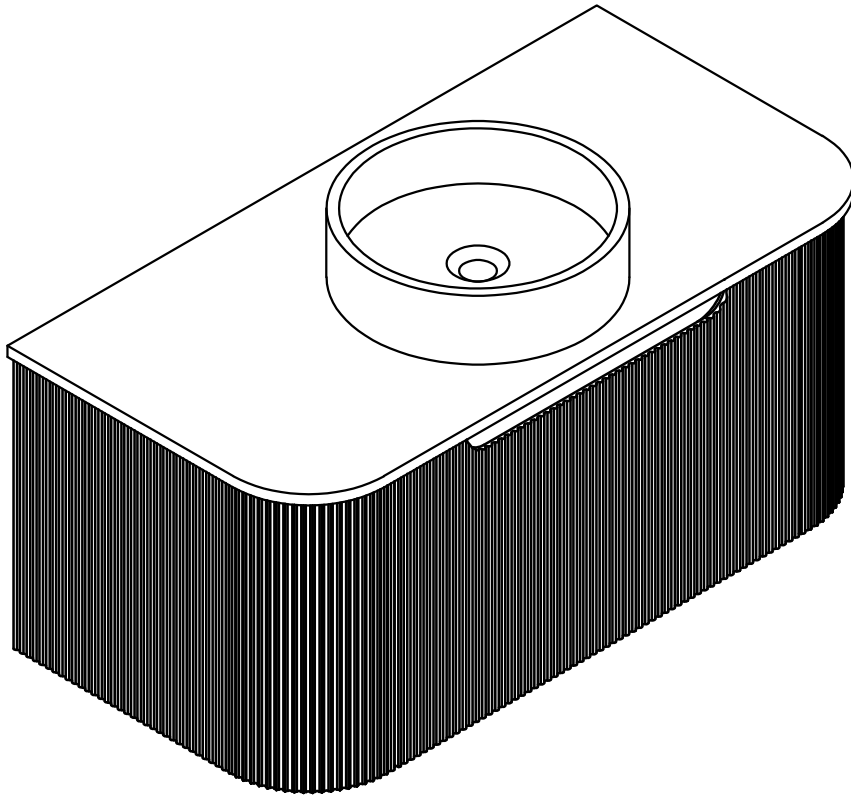


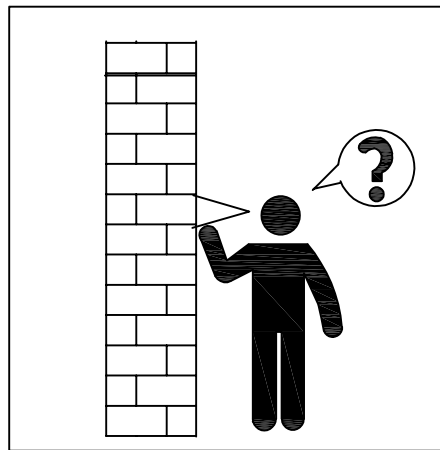
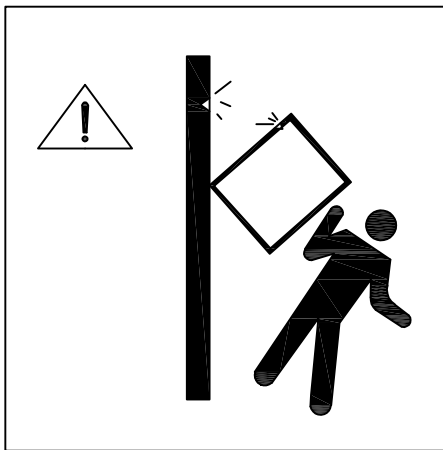
INSTALLATION GUIDE

MERCIO



Mercio
www.mercio.com.au
info@mercio.com.au
02 9772 0388
81 Milperra Road Revesby NS
W 2212 Australia

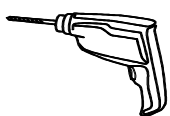




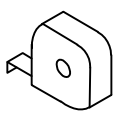
SAFETY INSTRUCTIONS

1. Improper assembly of the furniture item can lead to accidents and injuries. The furniture item is only to be assembled by competent persons.
2. Examine the wall structure. Use the wall-plugs and hooks appropriate for your wall type.
3. There should be no electrical cables, supply lines or disposal pipelines running through the installation area. The section of wall where the piece of furniture is to be installed must be level.
4. In order to avoid tipping or falling, fasten the furniture item (including standing types) to the wall using the wall mount.
5. Connecting the power supply is only to be carried out only by a qualified technician.
6. Please consult a qualified technician if you have any questions.

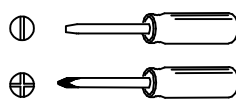
PRE-INSTALLATION - TOOLS REQUIRED



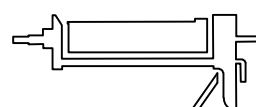
Drill



Measuring tape



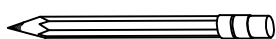
Screwdriver



Silicone



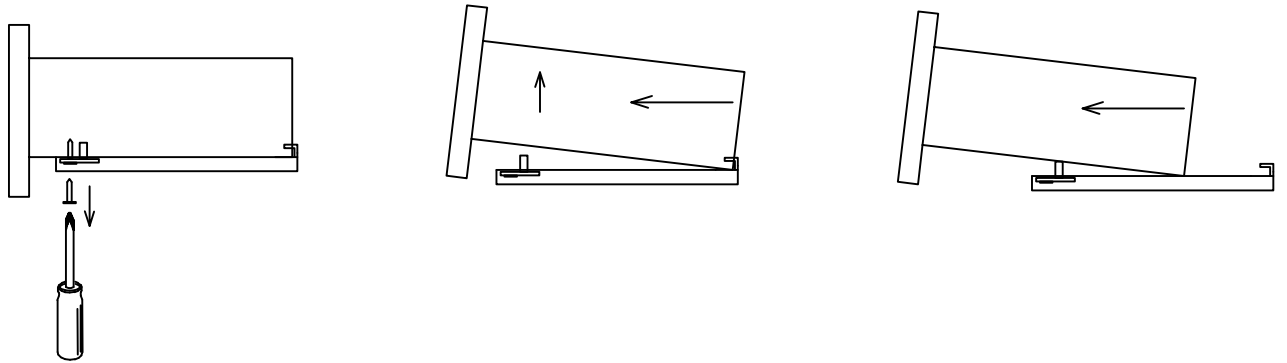
Level



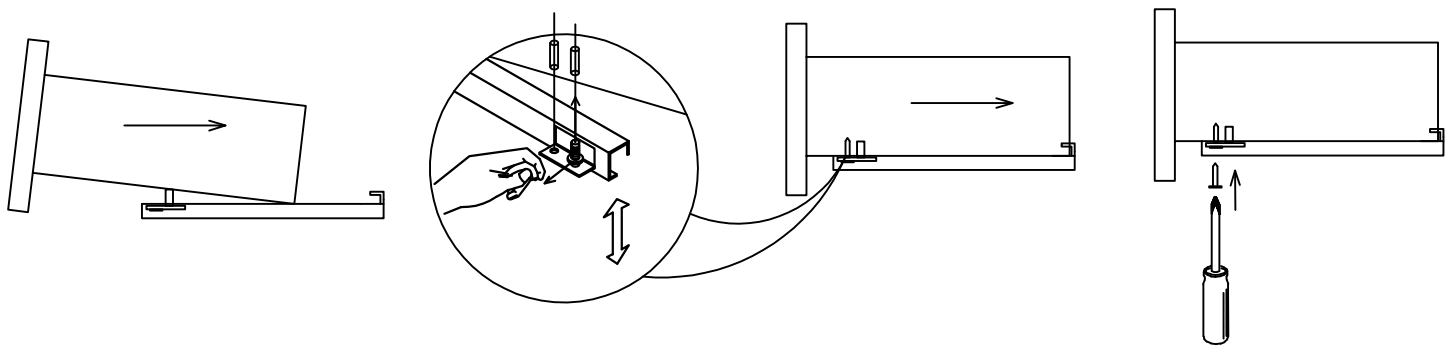
Pencil

M1. Disassembling / Assembling Sofe Metal Drawer

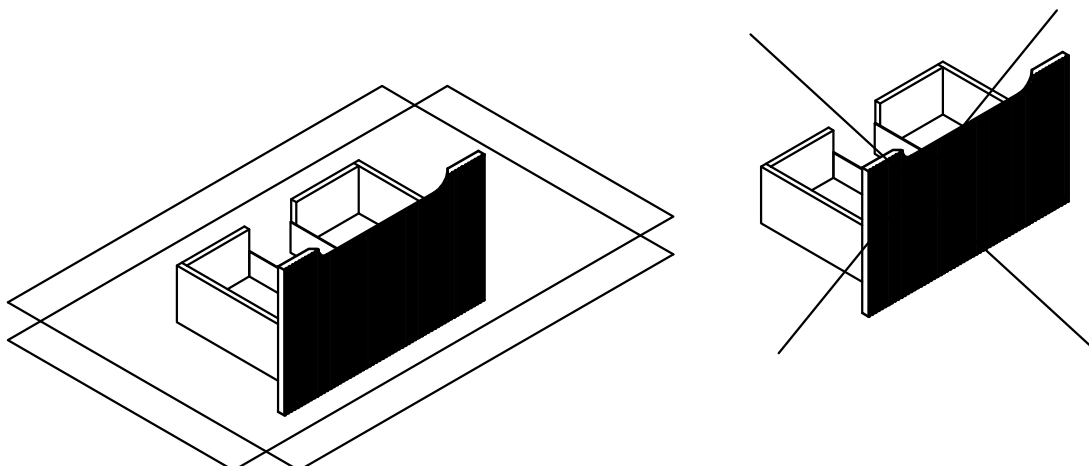
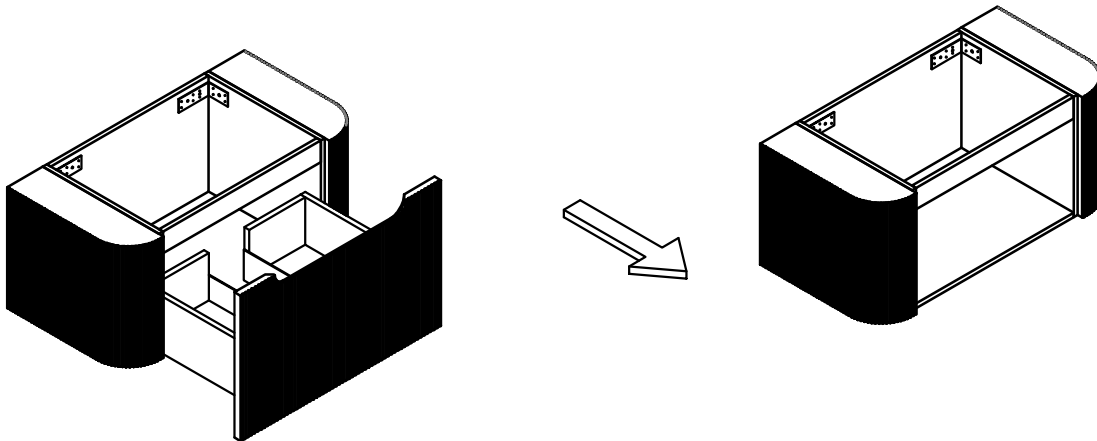
1. Disassembling

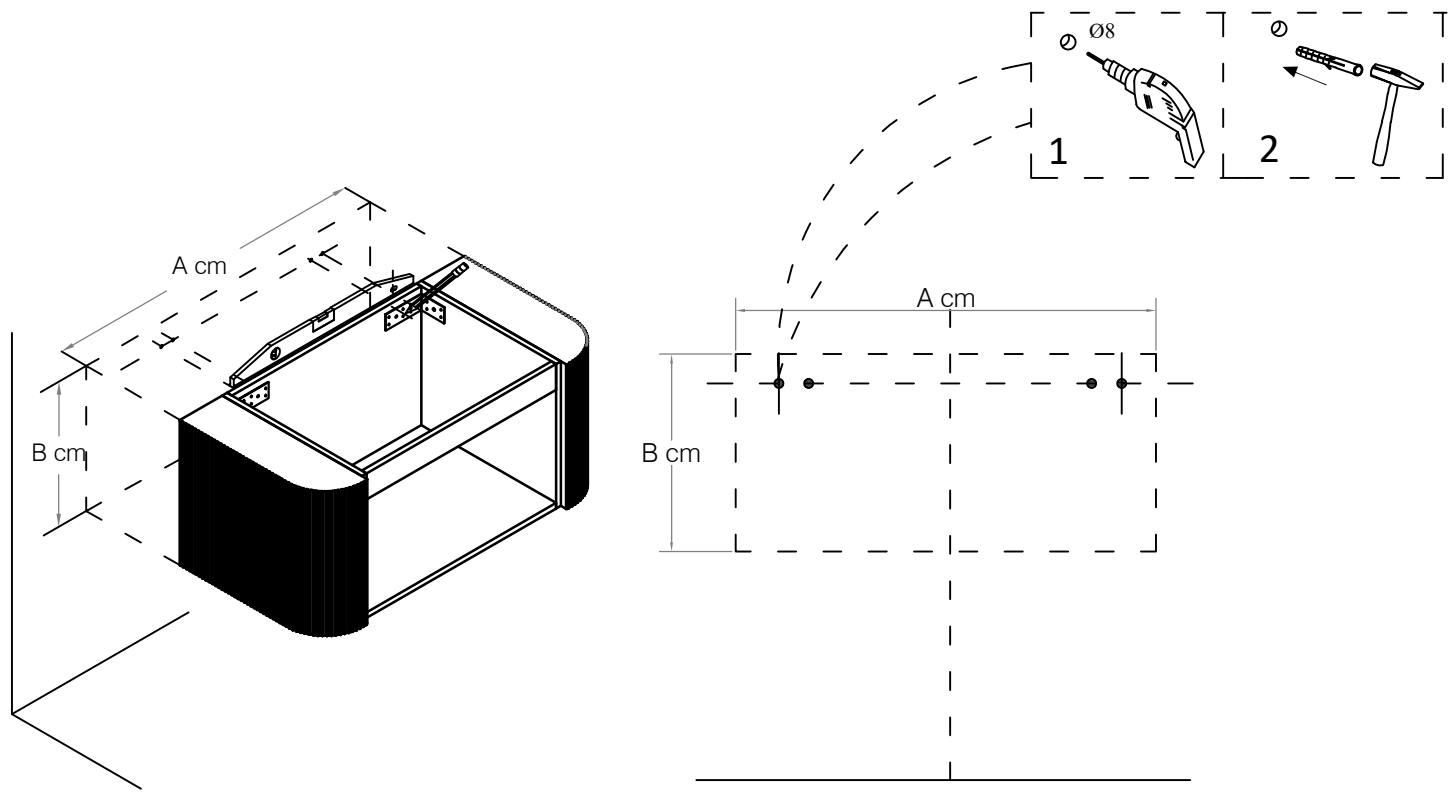
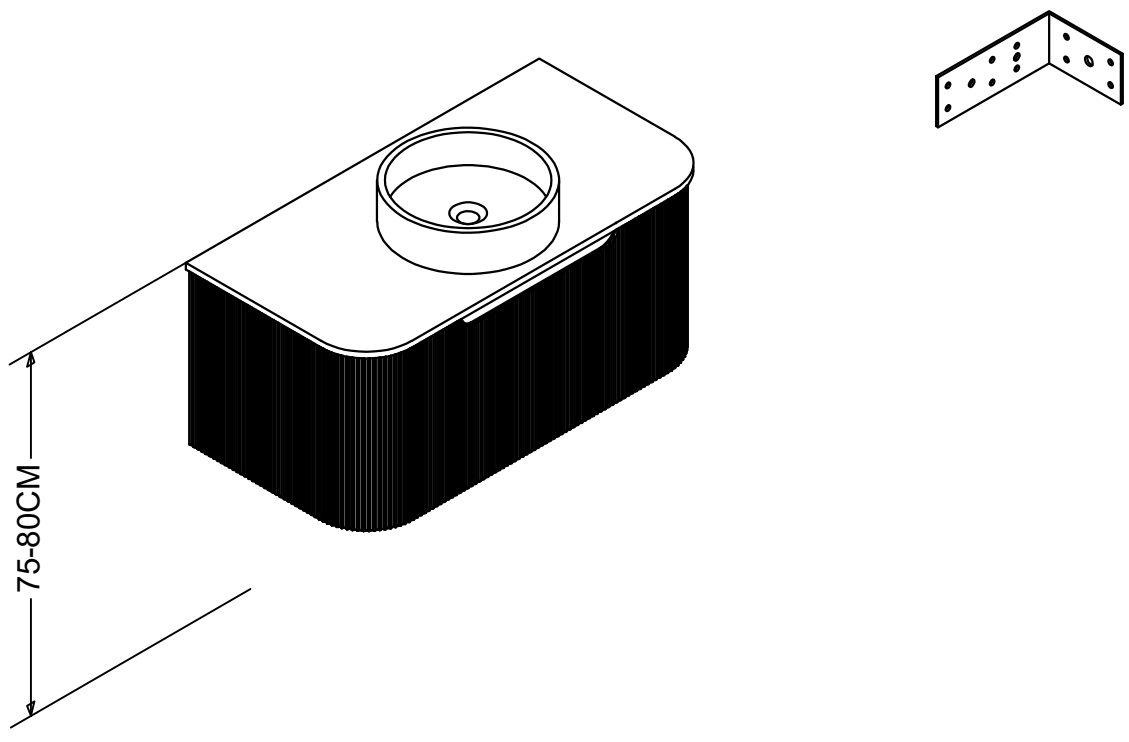


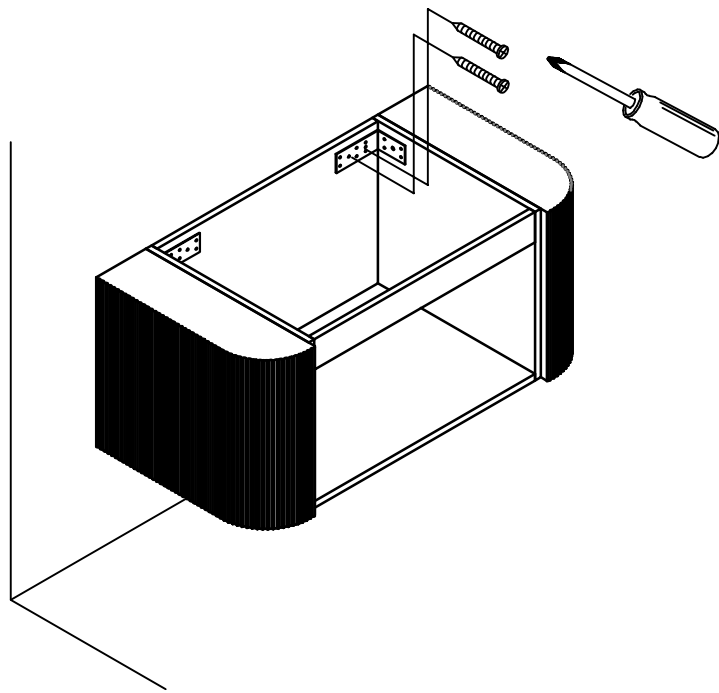
2. Assembling



M2. VANITY INSTALLATION

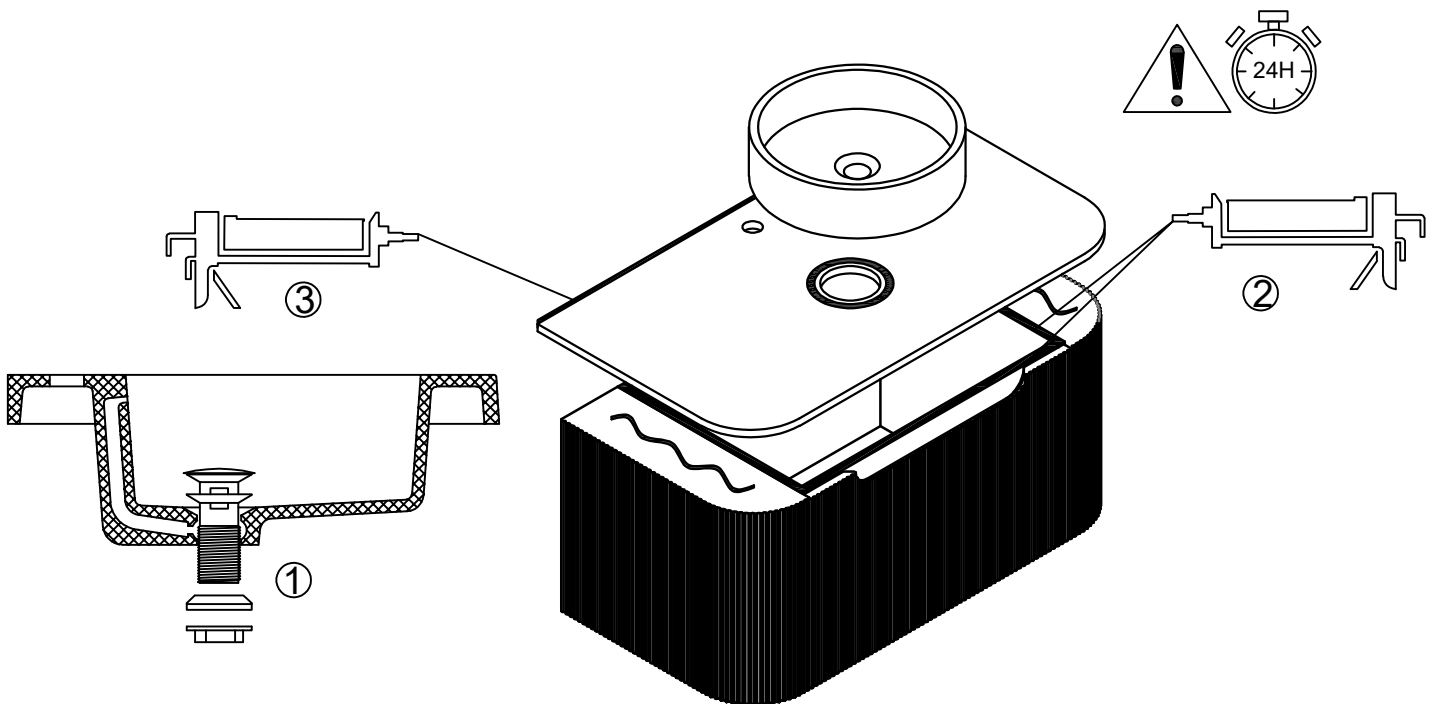






2

M3.VANITY TOP INSTALLATION



Please dry the cabinet with a soft cloth after use do not allow to remain wet

3

M4. HINGE/DOOR ADJUSTMENT

